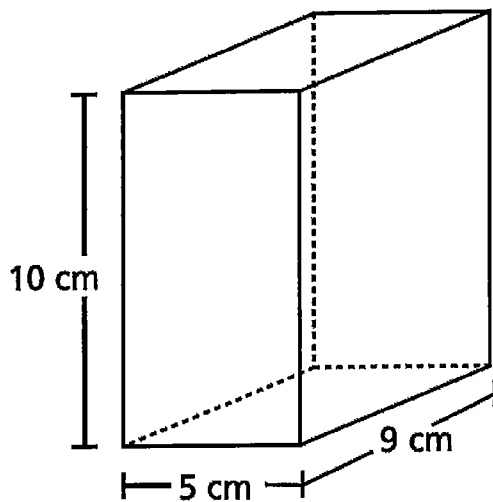


1

A gift box is in the shape of a right rectangular prism, as pictured below.



What is the volume, in cubic centimeters, of the gift box?

- A 24
- B 45
- C 225
- D 450

2

What is the sum of  $\frac{2}{10} + \frac{6}{100}$ ?

- A  $\frac{8}{10}$
- B  $\frac{8}{100}$
- C  $\frac{26}{10}$
- D  $\frac{26}{100}$

3 On Saturday, Mark sold  $2\frac{7}{8}$  gallons of lemonade. On the same day, Regan sold  $\frac{2}{3}$  as much lemonade as Mark. How much lemonade, in gallons, did Regan sell?

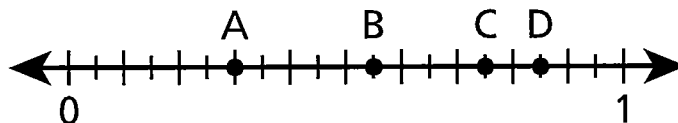
A  $1\frac{5}{16}$

B  $1\frac{11}{12}$

C  $2\frac{7}{12}$

D  $4\frac{5}{16}$

4 Which point on the number line below represents a value of 0.75?



A point A

B point B

C point C

D point D

**5**

Which comparison is true?

- A  $2.919 > 2.94$
- B  $0.99 < 0.569$
- C  $1.27 > 1.189$
- D  $3.861 < 3.75$

**6**

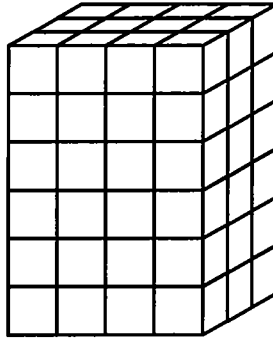
Betty has 3 cats and 4 dogs. She feeds each of them one scoop of food twice a day. Which expression can be used to show how many scoops Betty feeds her pets in one day?

- A  $(2 \times 3) \times 4$
- B  $(2 \times 3) + 4$
- C  $2 + (3 + 4)$
- D  $2 \times (3 + 4)$

**GO ON**

**7**

A diagram of a rectangular prism filled with unit cubes is shown below. Each unit cube has side lengths measuring 1 foot.



What is the volume, in cubic feet, of the rectangular prism?

- A 12
- B 13
- C 54
- D 72

**8**

What is the value of the expression below?

$$[(3 \times 4) - 6] + 4 \times 2$$

- A 4
- B 14
- C 20
- D 30

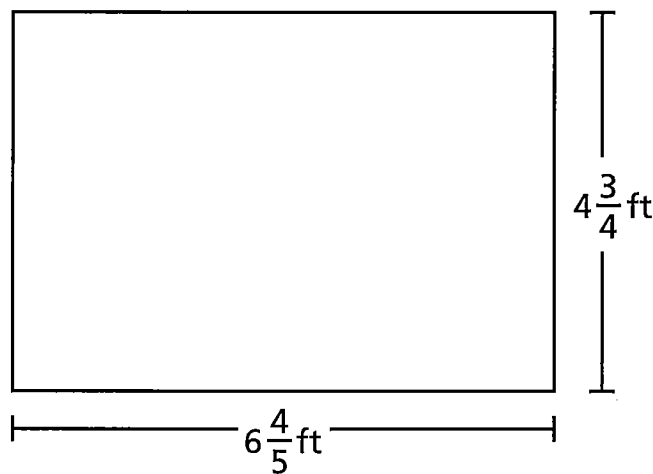
9

Ms. Reed makes salad dressing by combining oil and vinegar. She combines 8 fluid ounces of oil and 3 fluid ounces of vinegar to make one batch. Ms. Reed makes 3 batches of salad dressing. How many total cups of salad dressing does she make?

- A  $1\frac{3}{8}$  cups
- B  $2\frac{1}{16}$  cups
- C  $2\frac{3}{4}$  cups
- D  $4\frac{1}{8}$  cups

10

What is the area, in square feet, of the rectangle shown below?



- A  $11\frac{11}{20}$
- B  $24\frac{12}{20}$
- C  $27\frac{4}{20}$
- D  $32\frac{6}{20}$

**GO ON**

**11**

Ed hiked 3 kilometers on Saturday and swam 2 kilometers on Sunday. How many total meters did Ed hike and swim on Saturday and Sunday?

- A 50
- B 500
- C 5,000
- D 50,000

**12**

Which expression can be used to find the value of the expression shown below?

$$1,284 \div 4$$

- A  $(1,200 \div 4) \times (84 \div 4)$
- B  $(1,200 \div 4) \div (84 \div 4)$
- C  $(1,200 \div 4) + (84 \div 4)$
- D  $(1,200 \div 4) - (84 \div 4)$

**13**

Jack puts  $\frac{1}{3}$  pound of birdseed into his bird feeder every time he fills it. How many times can Jack fill his bird feeder with 4 pounds of birdseed?

A  $1\frac{1}{3}$

B  $3\frac{2}{3}$

C 11

D 12

**14**

What is 15.74 rounded to the nearest whole number?

A 10

B 15

C 16

D 20

**GO ON**

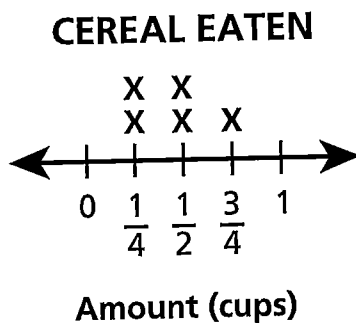
18

Which statement describes the product of the expression  $5 \times \frac{1}{2}$ ?

- A It is less than  $\frac{1}{2}$ .
- B It is greater than 5.
- C It is between 5 and 6.
- D It is between  $\frac{1}{2}$  and 5.

22

The line plot below shows the amount of cereal Shyanne ate in 5 days.



What is the total number of cups of cereal that Shyanne ate in the 5 days?

- A  $1\frac{1}{2}$
- B  $1\frac{3}{4}$
- C  $1\frac{4}{6}$
- D  $2\frac{1}{4}$